

SA Series Electric Actuator



SA-03



SA-05 & SA-09

- The SA Series Actuator has been designed for 90-Degree automation equipment such as Dampers, Ball Valves and Butterfly Valves.
- Engineered to be lightweight and compact for greater versatility, our unique housing design allows various options to be installed without costly external enclosures.
- 4-LED lights help illuminate our high impact dome indicator allowing for added visibility over greater distances and in low light areas.
- A thermal protector is provided to protect the motor from overheating.
- Worm Gear drive eliminates the possibility of back drive and the need for motor brakes.

PERFORMANCE

Model	Output Torque IN/LBS	Operating Time 90 Deg.	Rated Current (Amps)			Duty Cycle S4	Override Turns	Weight: LBS
			1 PHASE (AC)		AC / DC			
			120V	220V	12/24V			
SA-03	265	8 Seconds	.8 A	.8 A	1.2	75%	6	3.5
SA-05	442	14 Seconds	.35 A	.23 A	1.8	75%	6	7.5
SA-09	796	26 Seconds	0.19	0.19	1.8	75%	6	10.5

Options

		SA-03S	SA-05L	SA-09L
PIU	Potentiometer Unit (1K Ohm)		X	X
PCU	Position Control Unit Input: 4-20 mA / 0-10 vdc		X	X
CPT	Current Position Transmitter Output: 4-20 mA / 0-10 vdc		X	X
DHC	Digital High Controller Input: 4-20 mA / 0-10 vdc		X	X
OTX/OTR	Digital Position Transmitter Output: 4-20 mA / 0-10 vdc		X	X
LCU	Local Control Unit		X	X
RBP	Rechargeable Battery Pack		X	X

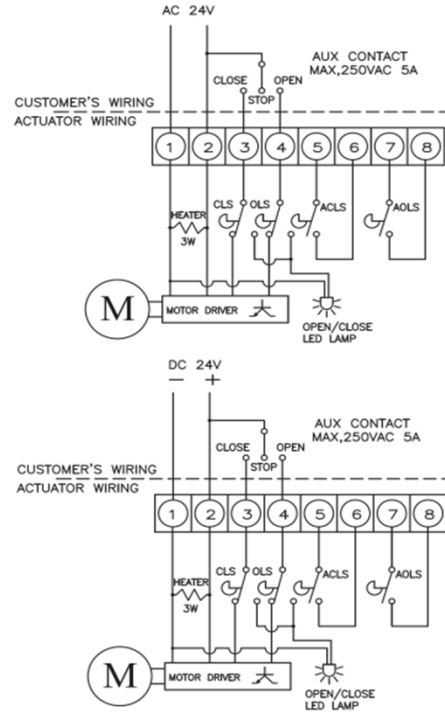
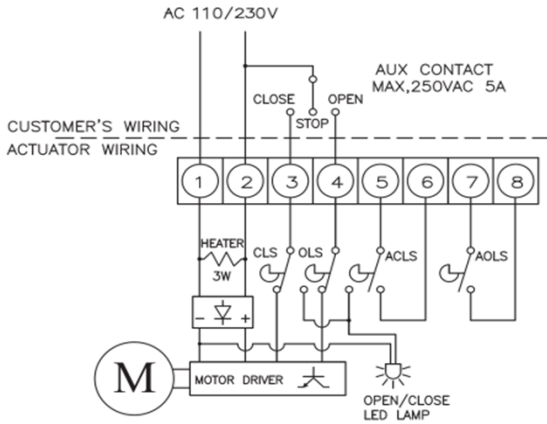
STANDARD SPECIFICATIONS

Indicator	Dome Type (LED Light)	Enclosure	IP67 / NEMA 4, 4X & 6
Ambient Temp.	-20C ~ +70C	Conduit Entries	(2) 1/2" NPT (SA-03 has (1) 1/2" NPT)
Limit Switches	(2) SPDT Dry Contacts	Travel Angle	90 Degrees +/-5 Degrees (EXT ~ 360 DEG)
Manual Operation	6 mm Hex / L-Wrench	Self Locking	Worm Gearing
Space Heater	3 Watt (SA-03) 5 Watt (SA-05/09)	Power Supply	AC 120/220V +/-10% 50/60HZ DC 12/24V (AC 12/24V)
Lubrication	Grease Moly (EP Type)	Materials	Steel, Aluminum Alloy & Bronze
Surface Treatment	Anodizing	External Coating	Epoxy, Polyester (TGIC-Free)

Standard Wiring

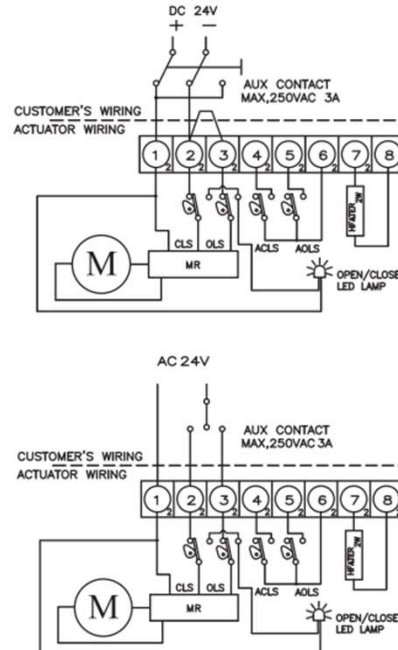
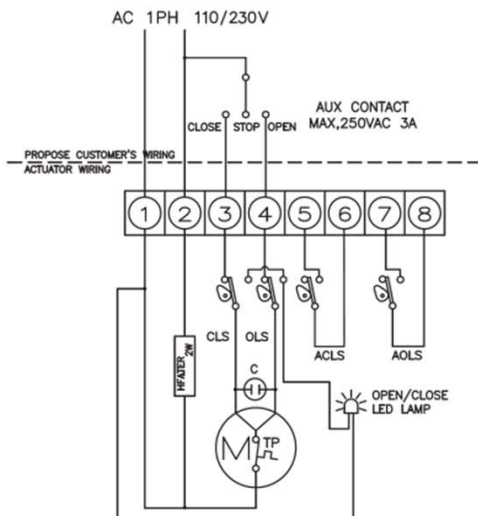
SA-03

CLS : Close Limit Switch (250VAC 5A)
 OLS : Open Limit Switch (250VAC 5A)
 ACLS : Aux Close Limit Switch (250VAC 5A)
 AOLS : Aux Open Limit Switch (250VAC 5A)

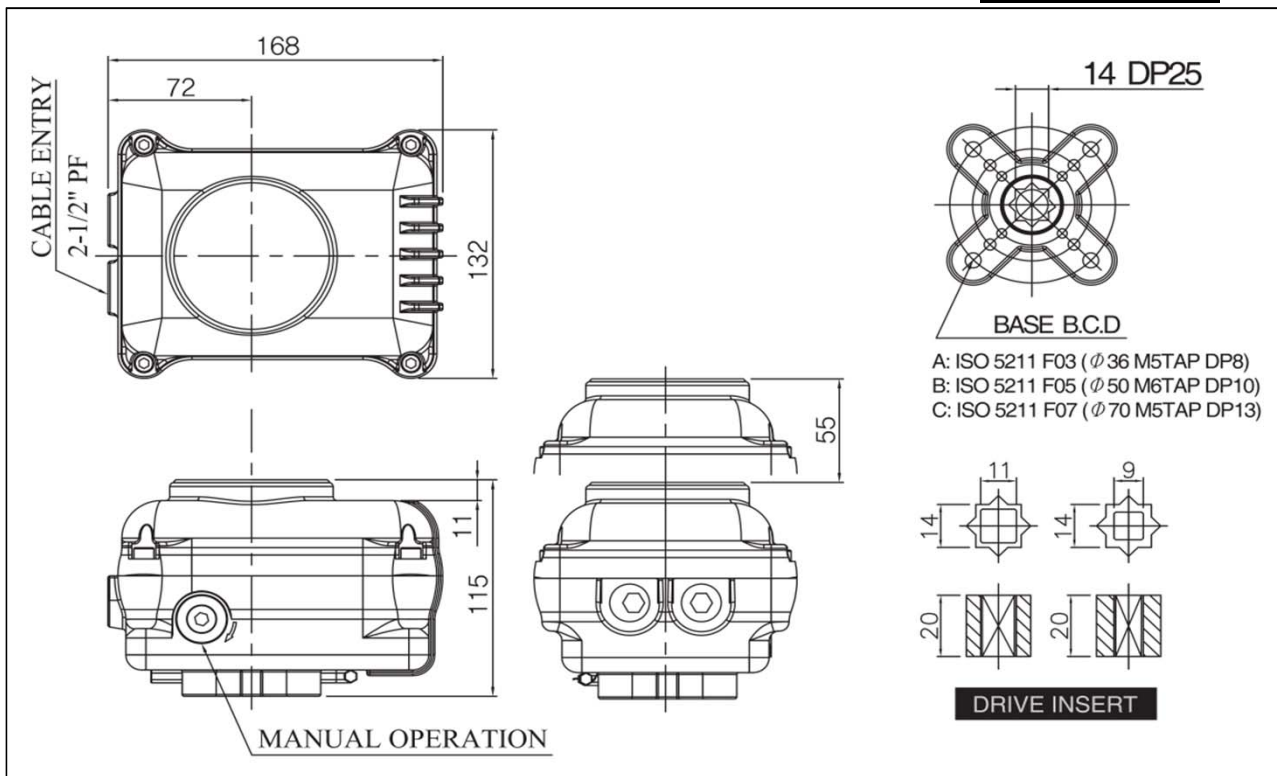
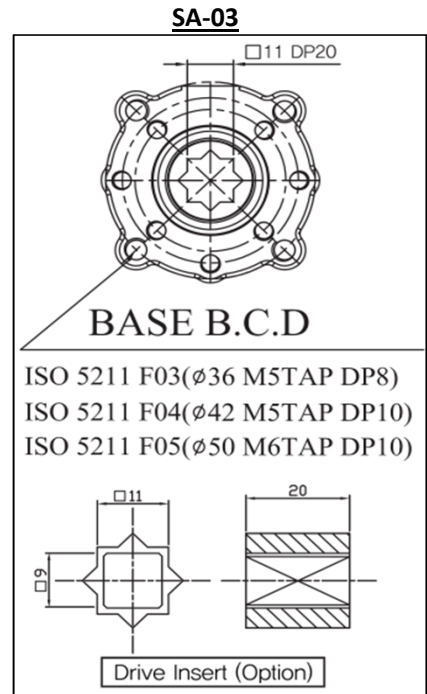
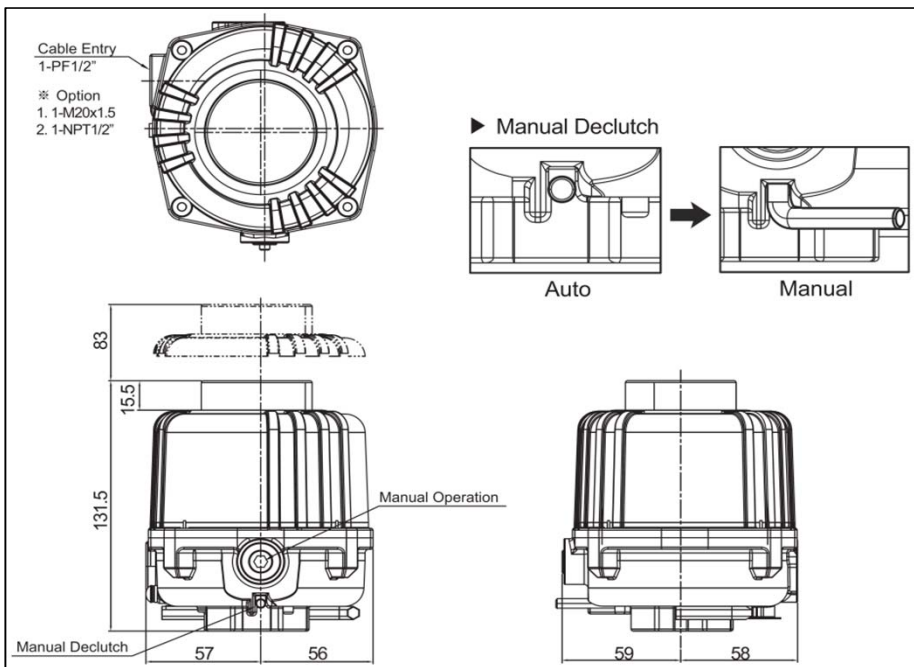


SA-05/09

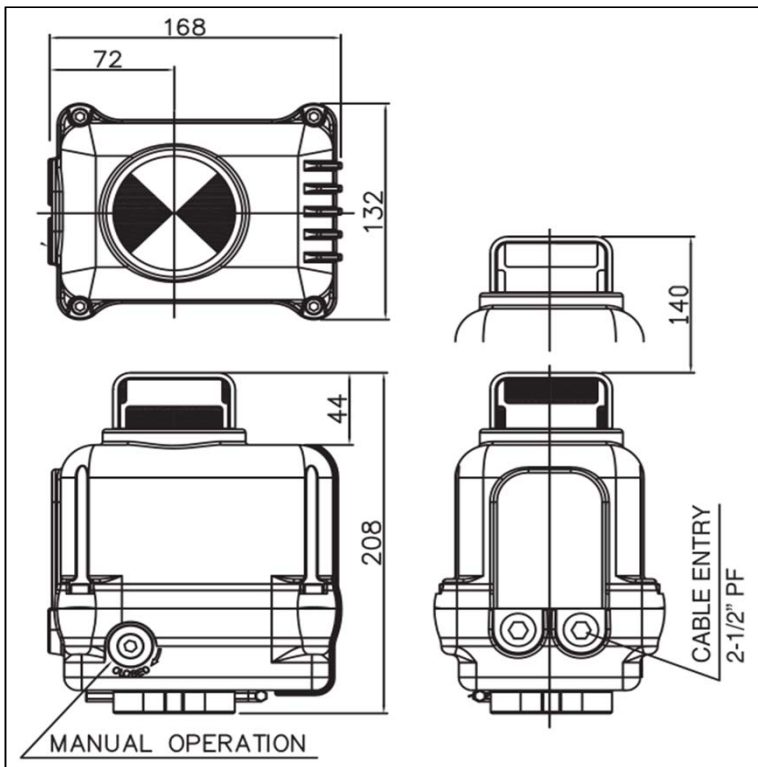
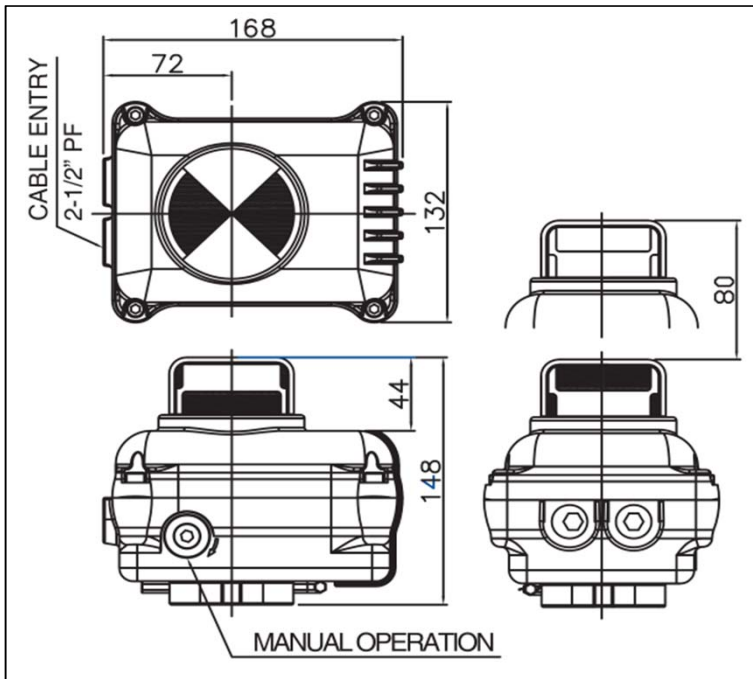
CLS : Close Limit Switch (250VAC 3A)
 OLS : Open Limit Switch (250VAC 3A)
 ACLS : Aux Close Limit Switch (250VAC 3A)
 AOLS : Aux Open Limit Switch (250VAC 3A)
 TP : Thermal Protector (250VAC 3A)
 RM : Motor Regulation



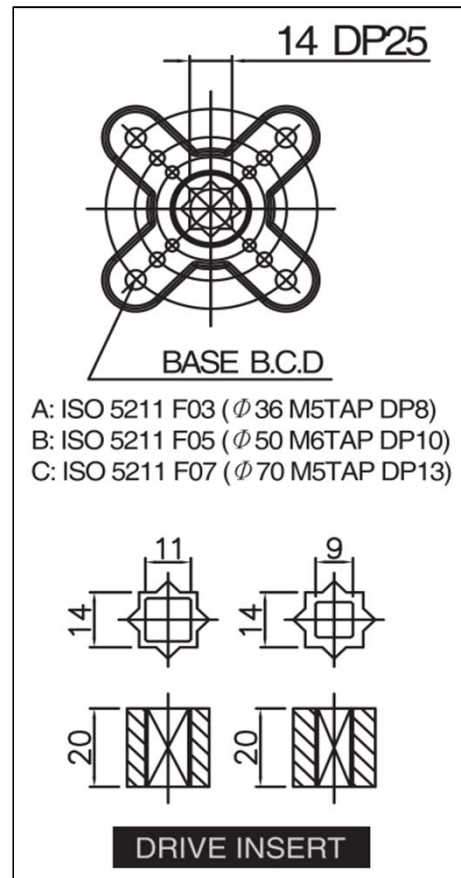
Dimensions:



Dimensions:



SA-05/09 Short & Long Cover



Onetork

ONETORK

NOTES:

Onetork Automation, Inc.
27055 S. Ridge Rd.
Elwood, IL 60421
Tel: 860-884-5572
Fax: 860-591-1307
Email: Sales.Onetork@gmail.com
