

ONETORK NA Series Actuators

ONETORK NA Series electric actuators provide a rugged solution for quarter-turn valve actuation. Our worm gear design offers a constant reliable torque output and efficient performance. All actuator sizes have adjustable travel stops in both directions +/- 5°. The NA Series is a high quality, reliable and economic actuator, utilizing tried and tested methods of operation and the latest innovations in technology.

FEATURES

- Cast Aluminum Alloy Housing rated NEMA 4, 4X / IP67
- Color coded internal wiring
- De-Clutchable Manual Override, automatic reset when motor is re-engaged
- ISO 5211 standardized mounting pad, removable blank drive hub can be machined to match any application
- Rolled steel wormgear drive provides long life, low noise level and prevents valve backlash.
- Continuous visual beacon indicator showing valve position
- Mechanical cam actuated end of travel limit switches can be easily adjusted for precise valve position
- Factory set Torque switches to provide over torque protection for valves, available in sizes NA-015 ~ NA-300
- 20 Watt internal Anti-condensation heater minimizes water damage due to temperature and humidity changes

OPTIONS

- EXP** Explosion Proof Enclosure
ATEX EExd IIB T4
- ALS** Aux. Limit Switches / 2 SPDT
- LCS** Local Control Station
LED Indicators / 2 Selectors
- DHC** Digital 4-20 mA Controller
- PCU** Analog 4-20 mA Controller
- OTX** 4-20 mA Feedback (Digital)
- CPT** 4-20 mA Feedback (Analog)
- OSW** Ohm Slide Wire Feedback
- IMS** Integral Motor Starters
Solid State Relays
120V Control Transformer
- RCT** Repeat Cycle Timer and/or
Cycle Length Controller
- DCM** 24 VDC Motor
NA-006 ~ NA-028
- ACM** 24 VAC Motor
NA-006 ~ NA-028
- EXT** Extended Travel Angle
120° to 360°

ONETORK

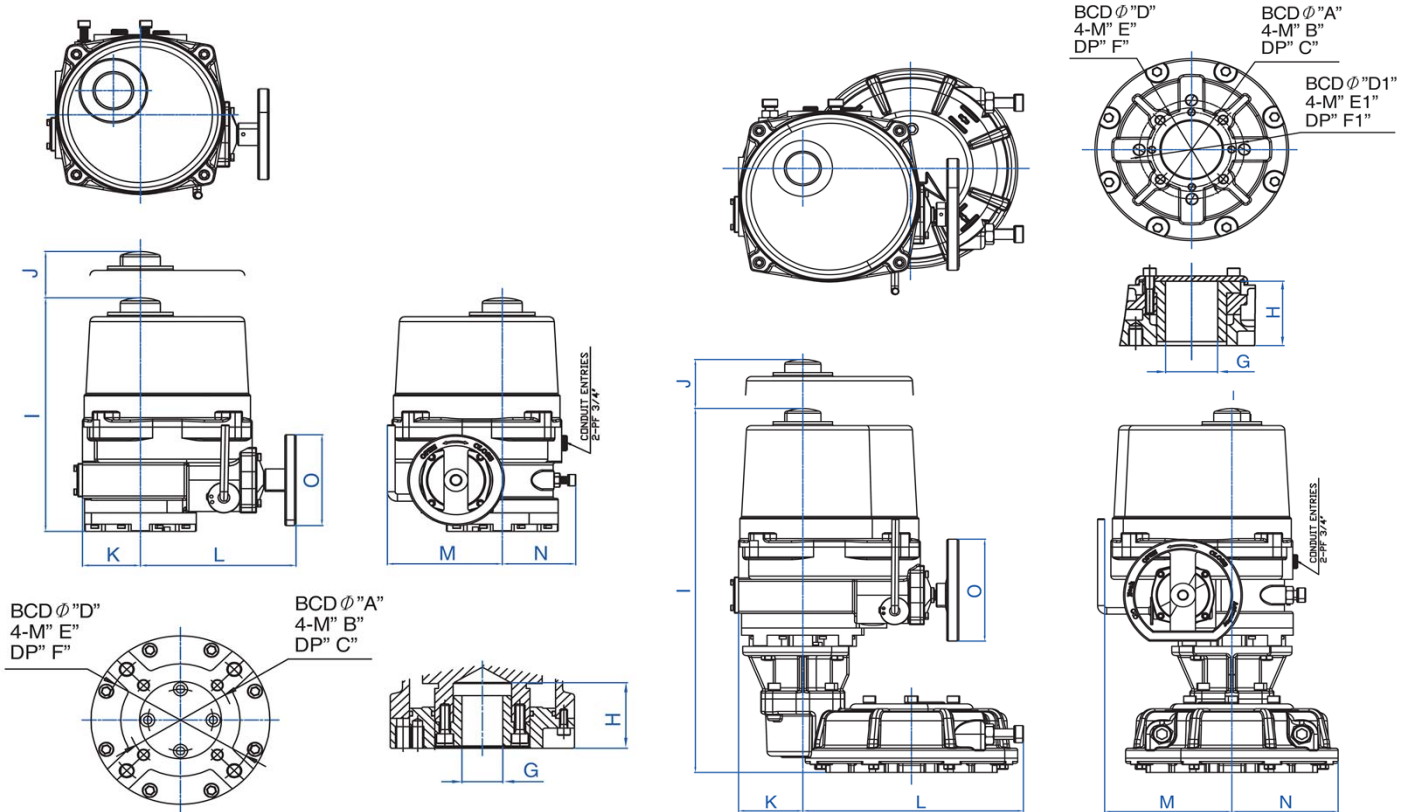
STANDARD SPECIFICATIONS

Enclosure	NEMA 4, 4X / IP67 Watertight
Ambient Temp.	Standard: -20°F ~ +158°F (Rated 300°F / 1 Hour) Low Temp: -40°F ~ +158°F (Option)
Power Supply	120/220 VAC 1-Phase 50-60 Hz 380/440 VAC 3-Phase 50-60 Hz +/- 10%
Control Power	Low Voltage AC or DC / High Voltage AC (120V Max)
Limit Switches	(2) SPDT Mechanical Switches / Rated: 250V-15A
Torque Switches	(1) Open and (1) Close Mechanical Switch (NA-015~NA-300)
Travel Angle	90° +/-5°
Stall Protection	Internal Motor Thermal Protection Open @ 300°F / Close @ 207°F
Indicator	Continuous Beacon Position Indicator
Manual Override	De-Clutchable Hand/Auto
Mechanical Stops	External Adjustable Stop Bolts
Space Heater	20 Watt Anti-Condensation 24/120/220 VAC and 24 VDC
Conduit Entries	(2) 3/4" NPT
Lubrication	EP Type Moly Grease (Lifetime)
Materials	Aluminum Alloy, Steel, Aluminum Bronze
Surface Treatment	Anodizing
External Coating	Dry Powder, Epoxy-Polyester

SPECIFICATIONS

MODEL	Max Torque IN/LBS	Operating Time Seconds		Duty Cycle 30 Minute Thermal Protection	Rated Current Amps / Locked Rotor Amps				Weight Lbs
		50 Hz	60 Hz		1-Phase		3-Phase		
					120 Vac	220 Vac	380 Vac	440 Vac	
NA-006	531	17	14	100%	.66/1.36	.29/.83	.12/.33	.14/.37	24
NA-009	796	17	14	100%	1.07/2.10	.49/.87	.14/.37	.17/.41	24
NA-015	1327	20	17	80%	1.45/2.14	.71/1.12	.30/.61	.30/.65	27
NA-019	1681	20	17	80%	1.60/2.97	.90/1.52	.33/.77	.34/.83	29
NA-028	2478	24	20	100%	1.60/2.97	.90/1.52	.33/.77	.34/.83	38
NA-038	3363	24	20	100%	1.95/3.75	1.26/1.85	.36/.80	.37/.87	40
NA-050	4425	24	20	80%	3.10/4.90	1.50/2.34	.56/1.27	.57/1.36	42
NA-060	5310	29	24	80%	3.10/4.90	1.50/2.34	.56/1.27	.57/1.36	49
NA-080	7080	29	24	70%	4.10/7.50	2.15/3.70	.84/1.76	.78/1.88	51
NA-100	8850	29	24	70%	4.10/7.50	2.15/3.70	.84/1.76	.78/1.88	55
NA-150	13275	87	72	25%	3.10/4.90	1.50/2.34	.56/1.27	.57/1.36	150
NA-200	17700	87	72	25%	4.10/7.50	2.15/3.70	.84/1.76	.78/1.88	154
NA-250	22125	87	72	25%	4.10/7.50	2.15/3.70	.84/1.76	.78/1.88	154
NA-300	26550	116	96	25%	4.10/7.50	2.15/3.70	.84/1.76	.78/1.88	154

DIMENSIONS



Type	NA-006	NA-015	NA-028	NA-060	NA-150, NA-200	
	NA-009	NA-019	NA-038	NA-080	NA-250, NA-300	
A	2.76	2.76	4.02	4.92	4.92	
B	4-M8	4-M8	4-M10	4-M12	4-M12	
C	0.47	0.47	0.71	0.86	0.86	
Flange ISO 5211	F07	F07	F10	F12	F12	
D	D1	-	4.02	4.92	5.51	6.50
E	E1	-	4-M10	4-M12	4-M16	4-M20
F	F1	-	0.59	0.71	0.86	0.98
G (Max)	Key	0.86	0.86	1.26	1.65	2.95
	Square	0.78	0.78	1.02	1.33	2.56
H	1.81	1.81	2.16	2.44	3.95	
I	10.75	10.75	12.60	14.30	21.81	
J	4.25	4.25	5.25	7.25	7.25	
K	2.21	3.05	3.28	3.91	3.91	
L	6.85	7.25	7.95	8.91	8.91	
M	4.45	5.48	6.25	7.52	7.52	
N	2.68	3.35	3.91	4.57	5.98	
O	4.02	4.92	4.92	6.25	6.69	
Conduit Entries	2-3/4"NPT	2-3/4"NPT	2-3/4"NPT	2-3/4"NPT	2-3/4"NPT	

APPLICATION DATA**CUSTOMER**

Company

Street

City

Zip

Contact

VALVE INFORMATION

Mfg

Type

Valve Rotation

CW

CCW

Maximum Required Torque (w/ safety factor)

IN/LBS

ACTUATOR REQUIREMENTS

Open / . Close

Modulating

Supply Voltage

Control Voltage

OPTIONAL ITEMS (If Needed)

Modulating Control Board

Feedback Transmitter

Local Control Station

Cycle Length Control

Other

DETAIL

Job Location

Contractor

Item / Tag
